

Important:

All parts should be identified and matched up against the parts list. It is advisable to assemble on carpet to avoid scratches.

DO NOT USE POWER TOOLS TO ASSEMBLE YOUR FURNITURE. POWER TOOLS MAY STRIP OR DAMAGE THE PARTS.

Toutes les parties doivent être identifiées et jumelées contre la liste des pièces. Il est conseillé de assembler sur le tapis pour éviter les rayures. NE PAS UTILISER LES OUTILS ÉLECTRIQUES À ASSEMBLER VOS MEUBLES. LES OUTILS ÉLECTRIQUES PEUVENT DÉPOUILLER OU ENDOMMAGER LES PIÈCES.

Cleaning Instructions:

Use a soft cloth with mild cleaning solution. Never use anything abrasive or any harsh chemicals

Instrucciones de limpieza:

Use un paño suave con una solución de limpieza no agresiva. Nunca use nada agresivo ni productos químicos fuertes

Importante:

Todas las piezas deben ser identificadas y comparadas con la lista de piezas. Es aconsejable hacer el ensamble sobre una alfombra para evitar raspaduras. NO USE HERRAMIENTAS ELECTRICAS PARA MONTAR SUS MUEBLES. HERRAMIENTAS ELECTRICAS SE PUEDEN DAÑAR O ESTROPEAR LOS COMPONENTS.

Instrucciones de limpieza:

Use un paño suave con una solución de limpieza no agresiva. Nunca use nada agresivo ni productos químicos fuertes.

WARNING:

- FOR SAFETY REASONS, ALWAYS LOAD THE BOTTOM DRAWER FIRST
- DO NOT STAND OR LEAN ON AN OPEN DRAWER
- DO NOT PUT PRINTED MATERIAL ON AN OPEN DRAWER. USE A POSTING SHELF OR TABLE TO SORT OR COLLATE

ADVERTENCIA:

- POR MOTIVOS DE SEGURIDAD, SIEMPRE CARGUE PRIMERO LA GAVETA INFERIOR
- NO SE PARE NI SE APOYE SOBRE UNA GAVETA ABIERTA
- NO COLOQUE MATERIAL IMPRESO SOBRE UNA GAVETA ABIERTA. UTILICE UN ESTANTE O UNA MESA PARA ORGANIZAR O PONER EN ORDEN

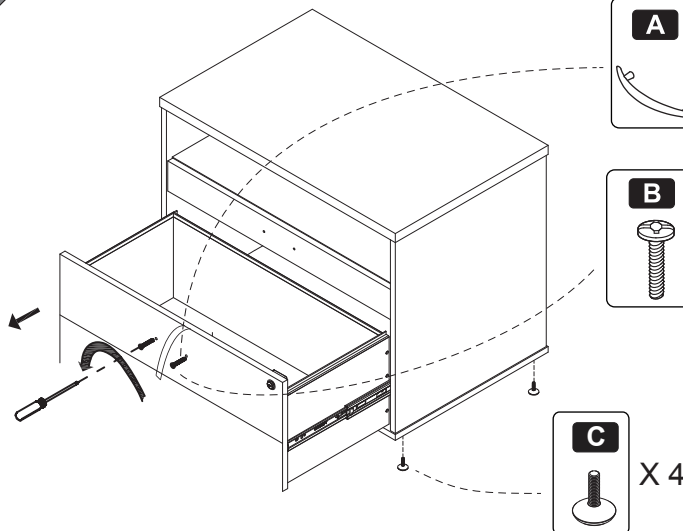
AVERTISSEMENT:

- POUR DES RAISONS DE SÉCURITÉ, TOUJOURS CHARGER LE TIROIR INFÉRIEUR EN PREMIER.
- NE PAS S'APPUYER OU SE TENIR DEBOUT SUR UN TIROIR OUVERT.
- NE PAS POSER DES DOCUMENTS SUR UN TIROIR OUVERT. UTILISER UNE ÉTAGÈRE OU TABLE D'AFFICHAGE POUR TRIER OU COLLATIONNER

PART Pieza Pièce	QTY. Cant. Quantité	ITEM Description Article
A	2	
B	4	
C	4	

PART Pieza Pièce	QTY. Cant. Quantité	ITEM Description Article
D	2	
E	4	

1



This file bar is pre-assembled.

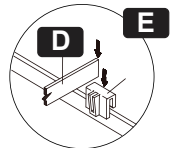
Adjust file bar, as needed

Esta barra de archivos se monta previamente.

Ajuste la barra de archivos, según sea necesario

Cette barre de fichier est pré-assemblée. Ajuster la

barre de fichier, au besoin

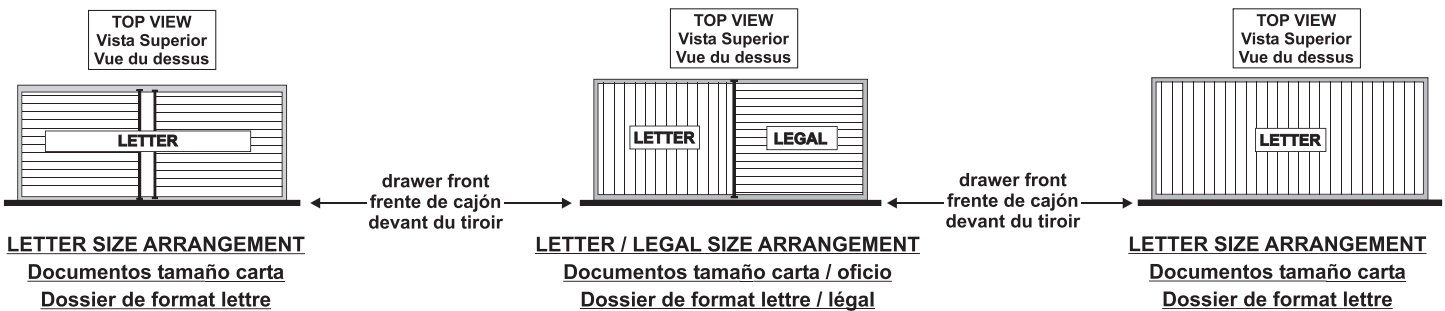


Note: Use string to pull open drawer to install handle.

Nota: Utilice cuerda para tirar de cajón abierto para instalar la manija.

Remarque: Utilisez corde pour tirer le tiroir ouvert à installer la poignée.

LATERAL FILE DRAWER LAYOUT Organización del cajón del archivo lateral Organisation pour tiroir de fillière latérale



CLEANING AND CARE OF YOUR FURNITURE

This furniture is manufactured with a high quality melamine laminate finish and durable PVC edging. It is highly resistant to common hazards such as scratches, peeling, dents, moisture and heat. During the manufacturing process some glue residue may be left on the panels. This is normal, and this residue can be easily removed with a soft cloth moistened with isopropyl (rubbing alcohol). For regular maintenance of your furniture use a soft cloth with a mild cleaning solution. Never use abrasives or harsh chemicals.

Limpieza y cuidado de su mueble

Este mueble está hecho con madera laminada de alta calidad, con cantos durables de PVC. Es totalmente resistente a rayones, golpes, humedad y calor. Durante el proceso de fabricación podrían quedar pequeños restos de pegamento en los paneles. Estos residuos son fácilmente removibles con un paño suave humectado con alcohol. Para el mantenimiento regular de este mueble, use un paño suave con una solución no agresiva. Nunca utilice productos químicos fuertes ni abrasivos.

Nettoyage et entretien de vos meubles

Ce meuble est construit avec un fini de mélamine de haute qualité et d'une moulure robuste en PVC. Ce fini est très résistant au égratignures, écailllements, bosselures, l'humidité et la chaleur. Au cours du procédé de fabrication des résidues de colle peuvent avoir été laissés sur les panneaux. Cela est normal, et le résidue de colle peut être facilement nettoyé avec un linge imbibé de isopropylique (alcool à friction). Pour l'entretien régulier de votre meuble, utilisez un chiffon doux avec un détergent doux. N'utilisez jamais d'abrasif ni de produits chimiques corrosifs.



LIMITED 5-YEAR WARRANTY

Except as otherwise provided within this Limited Warranty, Essendant Co. (Essendant) will repair or replace any Alera® and other Essendant branded furniture products, component or part that is found to be defective in material or workmanship within five (5) years from the date of original purchase so long as you, the original purchaser, still own it. This is your sole and exclusive remedy. This limited warranty is subject to the provisions below. It applies to products sold within the United States of America and the Commonwealth of Canada.

Limitations:

- Fabric, vinyl and/or leather is warranted for two (2) years from the date of original purchase of the chair by the original owner of the Alera® product in question.
- Electrical components are warranted for two (2) years from the date of original purchase of the product by the original owner of the Alera® product in question.

Exclusions:

This warranty does not apply and no other warranty applies to:

- Normal wear and tear, which are to be expected over the course of ownership
- Modifications or attachments to the product that are not approved by Essendant
- Products that were not installed, used or routinely and properly maintained in accordance with product instructions and warnings
- Products used for rental purposes

Color variations in fabrics and finishes:

Essendant does not warrant the color-fastness or matching of colors, grains or textures of covering materials.

TO THE EXTENT ALLOWED BY LAW, ESSENDANT DISCLAIMS ALL OTHER WARRANTIES, EITHER EXPRESS OR IMPLIED, INCLUDING ANY WARRANTY OF MERCHANTABILITY OR FITNESS FOR A PARTICULAR PURPOSE. ESSENDANT WILL NOT BE LIABLE FOR ANY CONSEQUENTIAL OR INCIDENTAL DAMAGES.

Notice to Purchasers for home or personal use:

Federal law does not permit the exclusion of certain implied warranties for consumer products. Therefore, if you are purchasing this product for home or personal use, the exclusion of implied warranties noted in the above paragraph may not apply to you. Some states do not allow the exclusion or limitation of incidental or consequential damages, so the above limitation or exclusion may not apply to you. This warranty gives you specific legal rights, and you may also have other rights which vary from state to state.

To obtain service under this warranty:

Your Alera® Reseller will work with Essendant in supporting your warranty requests. Please note: Written authorization of Essendant must be obtained before any warranty work is performed. To obtain authorization and to ensure the best level of customer service, please take the following steps:

1. If a defect is discovered, please contact the Reseller from whom the product was purchased within 30 days from the date of discovery. The Reseller will require information about the product such as: the SKU number, serial number and/or registration number or date of manufacture from the product in question and/or any original transaction documents affirming that you are the original purchaser of this product.
2. Following your claim, your Reseller will conduct an inspection and review. During this time your Reseller or their appointed servicing agent will gather information regarding the claim, inspect the product and contact an Essendant customer service representative. Please allow a reasonable amount of time for these activities. A customer service representative or another representative of Essendant will determine whether to provide
3. replacement parts, authorize repairs or replace the product providing Essendant affirms that the product in question is eligible under the conditions of the warranty as stated above.



California 93120

Compliant for Formaldehyde Phase 2

The California Air Resources Board (CARB) approved an Airborne Toxic Control Measure (ATCM) to reduce formaldehyde emissions from composite wood products including hardwood, medium density fiberboard and particleboard. These finished goods are low in formaldehyde emissions and comply with the ATCM.

Manufactured for Alera®/Essendant Co.
One Parkway North, Deerfield, IL 60015